



Top-Loaded Cleaning Machine

type TL



Applications

This type of cleaning machine is particularly suitable for cleaning of small components in the service sector workshops:

- passenger cars and lorries
- engine remanufacture
- electric motors
- wood working machines
- at vocational schools
- in defence workshops
- industrial maintenance

Cleaning Cycle

The machine operates with a closed fluid system in which fluids are recycled. The cleaning solution consists of 2-5% alkaline detergents and 95-98% water. The tanklife of the solution varies between one week and several months. The tanklife depends on the degree of utilization and type of contaminants on the parts to be cleaned.



Sales Offices:

TejoViverk Oy Ab
Nakkila unit

Box 16

FIN-29251 Nakkila, Finland

Phone +358 2 537 3180

TejoViverk AB

Åkersberga unit

Sågvägen 44

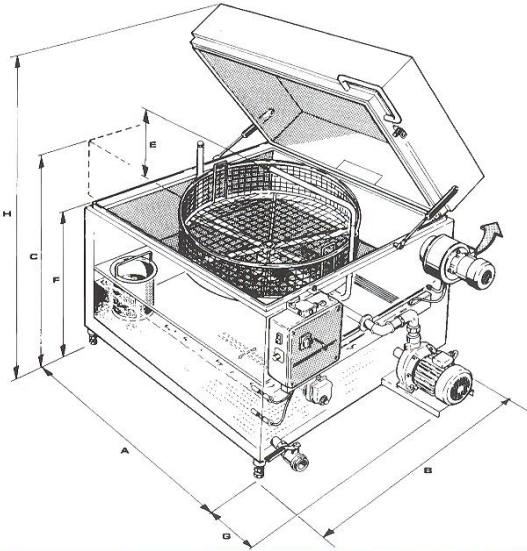
SE-184 40 Åkersberga, Sweden

Phone +46 8 544 022 30

www.tejoviverk.se



Machine Data



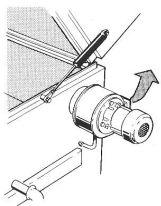
The machines are manufactured in stainless steel inside and outside, and insulated with mineral wool.

The machine consists of

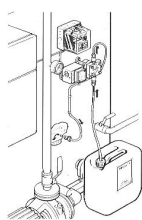
- washing cabinet
- rotating spray bar system
- pump
- heating system
- filtration system
- fluid guard
- load basket
- electrical cabinet

Principal dimensions mm	TL-650S	TL-900S	TL-1150S
Width A	900	1100	1385
Depth B	900	1100	1385
Height C	1070	1170	1070
Spray system Ø approx.	650	900	1150
Load basket Ø approx.	630	850	1100
Cleaning height E	430	430	430
Working height F	780	780	780
Width G	450	450	250
Total height H	1750	1950	2150
Technical Data	TL-650S	TL-900S	TL-1150S
Connection power kW	8	11	11
Heating capacity kW	6	9	9
Tank volume	200	350	500
Pump capacity l/min	200	230	280
Pump pressure bar	2,5	2,5	2,3
Pump motor kW	1,85	1,85	1,85
Load kg	150	150	150
Machine weight kg	150	200	270
Filter separation micron	630	630	630
Insulation mm	15	15	15
Noise level approx. dBA	70	70	70

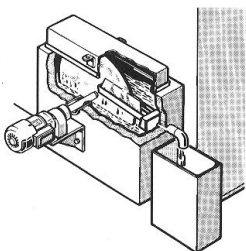
Accessories



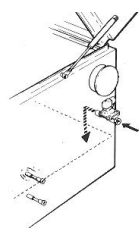
Steam extractor
DF-1



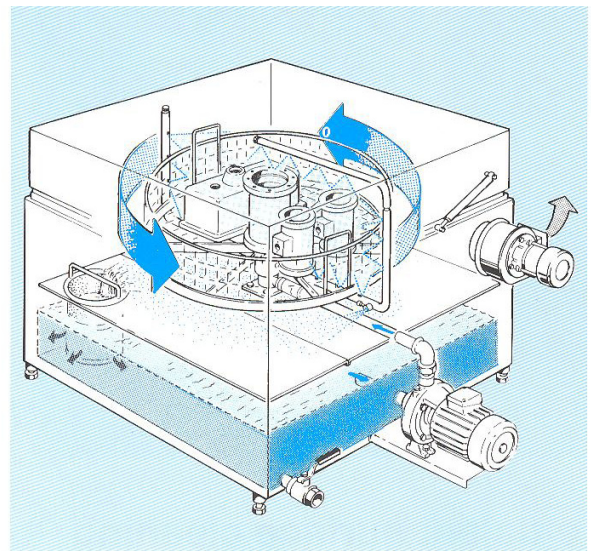
Dosage equipment
AD-2



Oil skimmer
OS-3



Automatic water refill
AR-1



Producer:
TejoViverk Oy AB
Nakkila unit
Box 16
FIN-29251 Nakkila,
Finland
Tel +358 2 537 3180

www.tejoviverk.fi
